

R-2000/120R-39E



Max. load capacity at wrist: 120 kg



Max. reach: 3905 mm

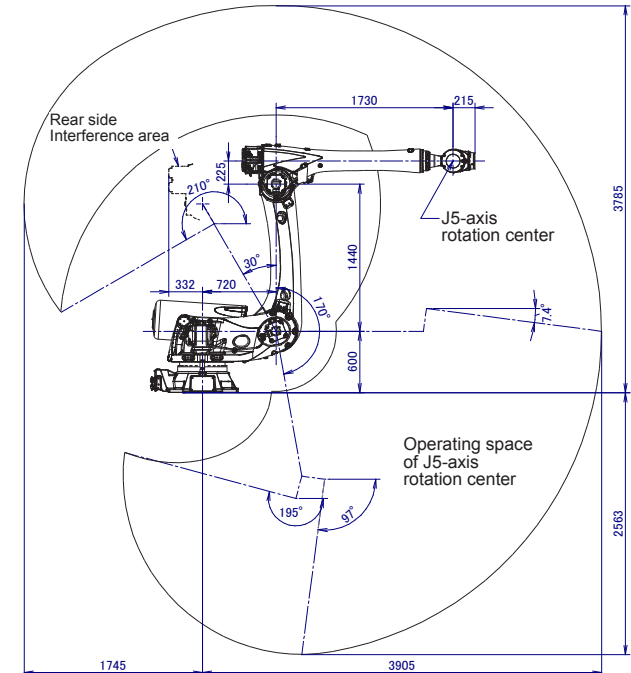
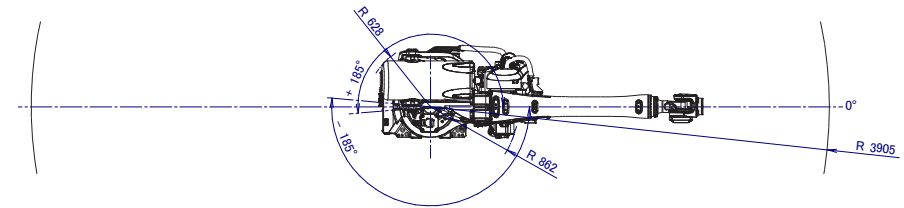
FANUC

Robot		Max. load capacity at wrist (kg)	Reach (mm)	Controlled axes	Repeatability (mm)	Mechanical weight (kg)	Motion range (°)						Maximum speed (°/s) ***						Moments (N-m)/Inertia (kg-m ²)			Average Power consumption (kW)	Protection	
Series	Version						J1	J2	J3	J4	J5	J6	J1	J2	J3	J4	J5	J6	J4 Moment/ Inertia	J5 Moment/ Inertia	J6 Moment/ Inertia		Body standard/optional	Wrist & J3 arm standard/optional
R-2000	E	120	3905	6	± 0.05*	1540**	370	200	405	720	250	720	110	101	130	190	180	290	1000/132	1000/132	570/110	3	-	IP67

● standard ○ on request - not available * Based on ISO 9283 ** Without controller *** During short distance motions, the axis speed may not reach the maximum value stated.

R-2000/120R-39E

Rack mount



R-2000/120R-39E